

# PCT Time-Delay PC Mount Fuses

## Time-delay fuses for direct mounting on printed circuit boards.

Mersen's PCT series of time-delay, direct-mountable fuses addresses the increasing need for electrical protection at the PC board as current and voltage requirements push higher. These fuses help printed circuit board manufacturers reduce parts by eliminating clips and fuse blocks and allowing automated assembly. PCT fuses can be used for the protection of main frame power boards, small circuit breakers with low interrupting ratings and other components. PCT fuses bring protection with time-delay, greatly increased ampere, voltage and interrupting ratings to the board itself and are UL Component Recognized.

### Highlights:

- Time-delay
- PC board mount
- Three mounting styles

### Applications:

- Protection of main frame power boards, circuit breakers, components

## Catalog Numbers (amps)

Slot Mount	
PCT1-R	PCT8-R
PCT2-R	PCT10-R
PCT3-R	PCT12-R
PCT4-R	PCT15-R
PCT5-R	PCT20-R
PCT6-R	PCT25-R
PCT7-R	PCT30-R

Double Hole Mount	
PCT1-H	PCT8-H
PCT2-H	PCT10-H
PCT3-H	PCT12-H
PCT4-H	PCT15-H
PCT5-H	PCT20-H
PCT6-H	PCT25-H
PCT7-H	PCT30-H

Surface Mount	
PCT1-S	PCT8-S
PCT2-S	PCT10-S
PCT3-S	PCT12-S
PCT4-S	PCT15-S
PCT5-S	PCT20-S
PCT6-S	PCT25-S
PCT7-S	PCT30-S

Dimensions of the PCT Series are found on page C14



### Ratings:

**Volts** : 500VAC  
**Amps** : 1 to 30A  
**I.R.** : 100kA I.R.

### Approvals:

- UL Recognized Components  
File E60314

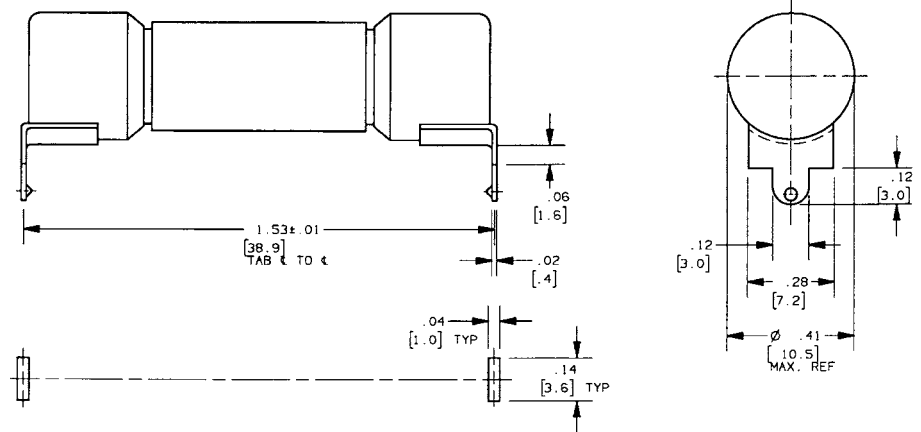


# PCF/PCS/PCT Series PC Mount Fuses

## Outline Dimensions

### Slot Mount (Rectangular Holes)

PCF1-R thru PCF30-R  
 PCS5-R thru PCS40-R  
 PCT1-R thru PCT30-R

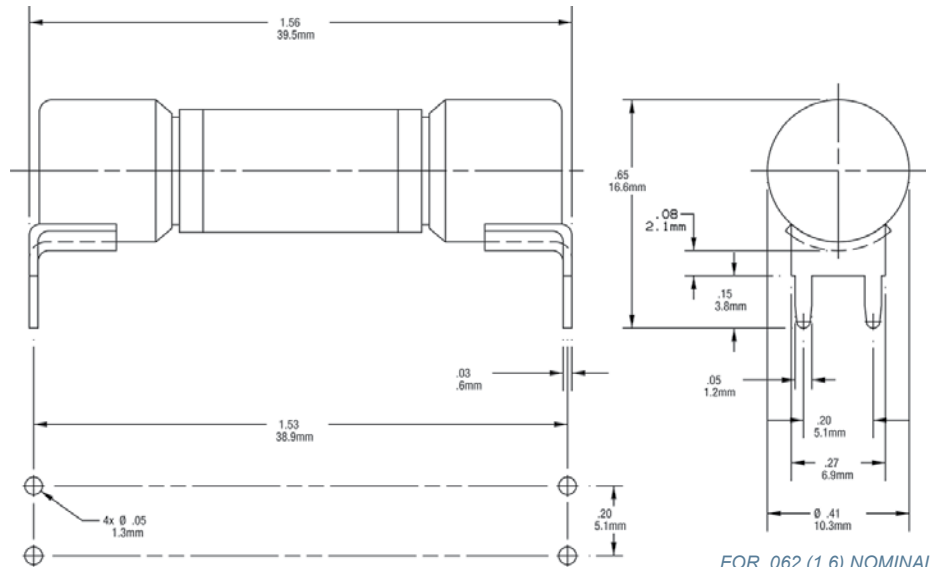


MOUNTING HOLE DETAIL

FOR .062 (1.6) NOMINAL  
 CIRCUIT BOARD  
 THICKNESS

### Double Hole Mount (Round Holes)

PCF1-H thru PCF30-H  
 PCS5-H thru PCS40-H  
 PCT1-H thru PCT30-H

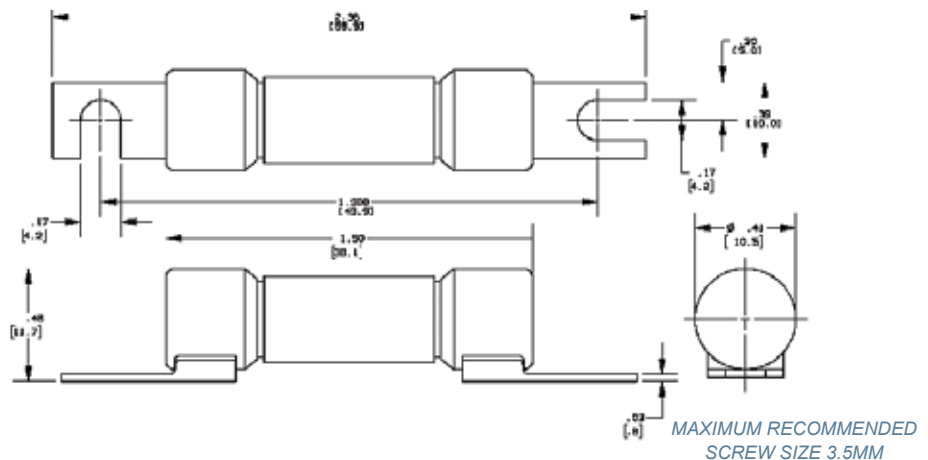


MOUNTING HOLE DETAIL

FOR .062 (1.6) NOMINAL  
 CIRCUIT BOARD  
 THICKNESS  
 NOT  
 CIRC

### Surface (Screw) Mount

PCF1-S thru PCF30-S  
 PCS5-S thru PCS40-S  
 PCT1-S thru PCT30-S



MAXIMUM RECOMMENDED  
 SCREW SIZE 3.5MM



Shah & Shah Enterprise

www.shahent.co.in